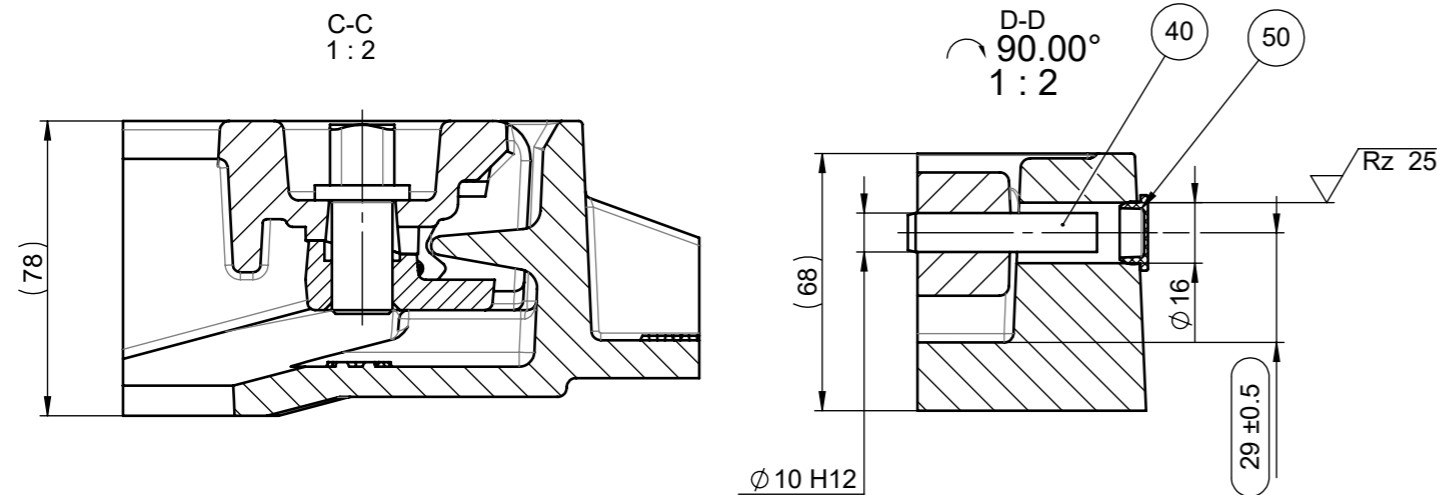


Restoration top can be fitted with cover plate if required (Art. no. 1203478)
 Cover plate can be fitted on either side /
 Sanieraufsatz kann bei Bedarf mit Abdeckplatte (Art.-Nr. 1203478)
 Abdeckplatte Anbau wechselseitig möglich

Clear Opening [CO] / Lichte Weite (mm)	Ø 266
Percentage of raised pattern / Erhabene Fläche	-
Outlet Area / Auslassbereich (cm²)	556
Inlet Area / Einlaufquerschnitt (cm²)	592



○ = Test dimension / Prüfmaß

local article number: 1212371

for missing dimensions see 3D model

001 MH03181: First creation / Erstmalige Erstellung		sgadagi		05.06.2024	
index: modification:				author:	date:
material number:	old article number:	general tolerance: ISO 8062-3-DCTG-12 / ISO 2768-mK	surface: Deburred	weight: 38.8 kg	doctype: P
ACO Passavant Detego GmbH Scheidertalstraße 3 65326 Aarbergen www.aco-passavant-guss.de		basic material:	welding tolerance	projection: ISO-E	format: A3
created by: tmeuer		reviewed by: tmeuer		sorting number:	scale: 1:5

Deburred / Geputzt (Rz 25)

title:
 Brückenentwässerung
 Bridge restoration top 300x500, D 400, SW38 mm, DS
 Brückensanieraufsatz 300x500, D 400, SW38 mm, PF
 serial-released
 Solidworks

The reproduction, distribution and utilization of this document as well as the communication of its contents to others without express authorization is prohibited. Offenders will be held liable for the payment of damages. All rights reserved in the event of the grant of a patent, utility model or design. Observe copyright by ISO 16016	drawing-no.: 1436276	index: 001	release date: 21.06.2024	sheet: 1/1
--	-------------------------	---------------	-----------------------------	---------------