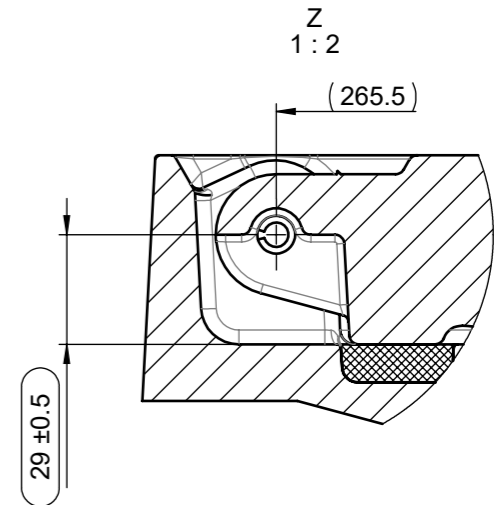
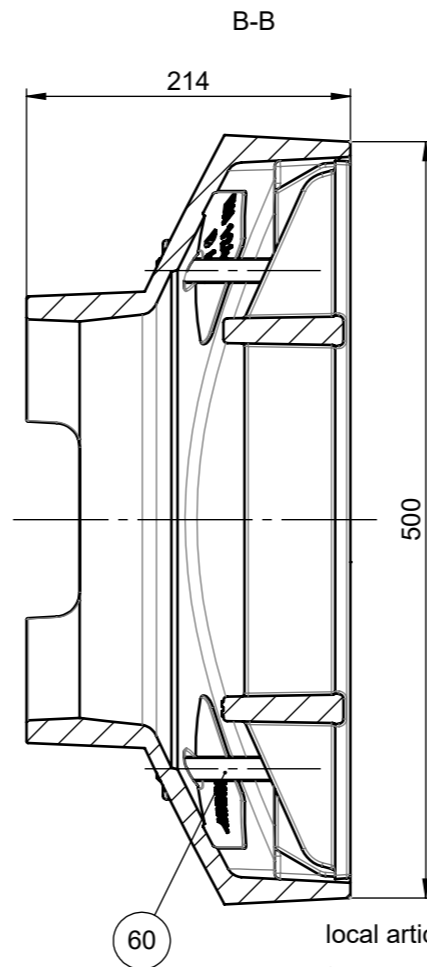
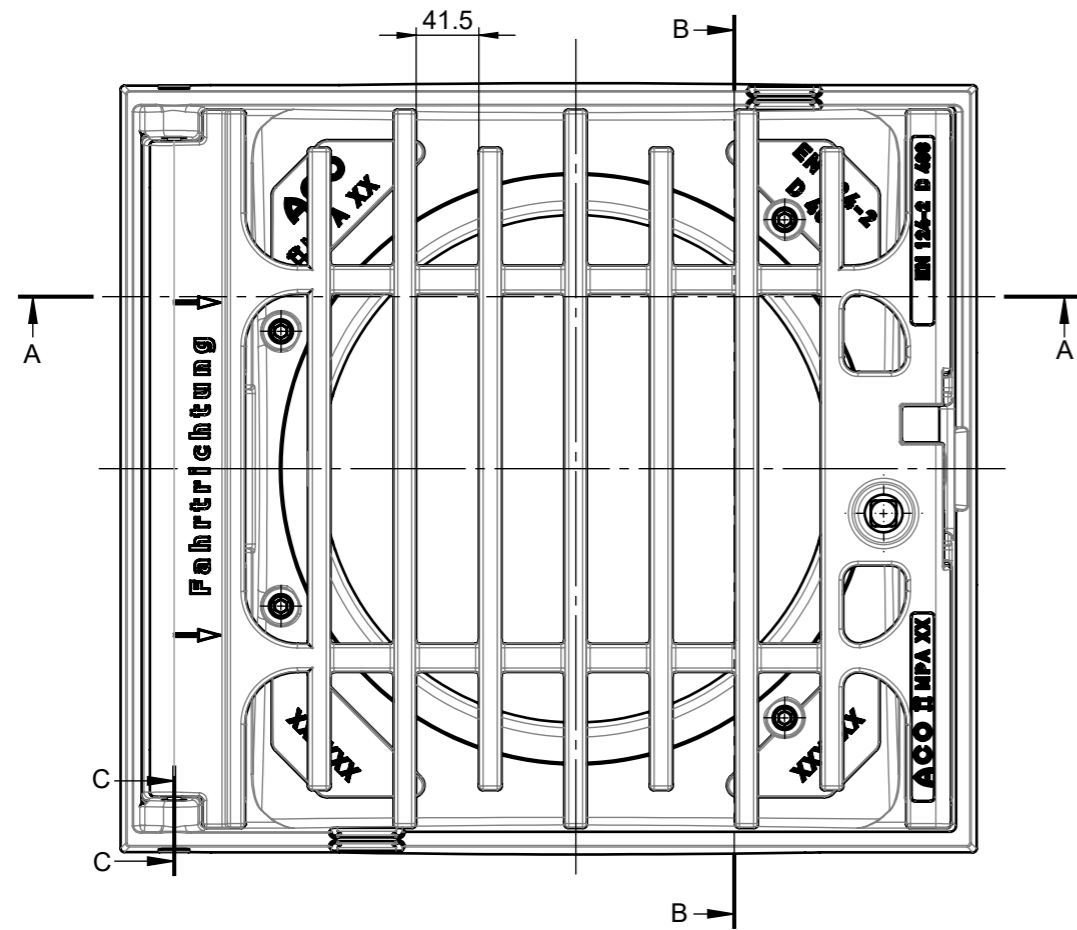

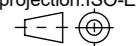


SCALE 1 : 10



Deburred / Geputzt (Rz 100)

local article number: 1213040
for missing dimensions see 3D model

001	MH03225: First revision				24.07.2024
index:	modification:			author:	date:
material number:	old article number:	general tolerance:	surface: Deburred	weight: 68.2 kg	doctype: P
 ACO Passavant Detego GmbH Scheidertalstraße 3 65326 Aarbergen www.aco-passavant-guss.de		basic material:	welding tolerance	projection: ISO-E 	format: A3
		created by: tmeuer	reviewed by: tmeuer	sorting number:	scale: 1:5
title: Brückentwässerung Gully top 500x500 D 400 Aqua Plus SW 41,5 mm Aufsatz 500x500 D 400 Aqua Plus SW 41,5 mm			serial-released		
The reproduction, distribution and utilization of this document as well as the communication of its contents to others without express authorization is prohibited. Offenders will be held liable for the payment of damages. All rights reserved in the event of the grant of a patent, utility model or design. Observe copyright by ISO 16016			drawing-no.: 1445310	index: 001	release date: 12.09.2024
			sheet: 1/1		Solidworks

