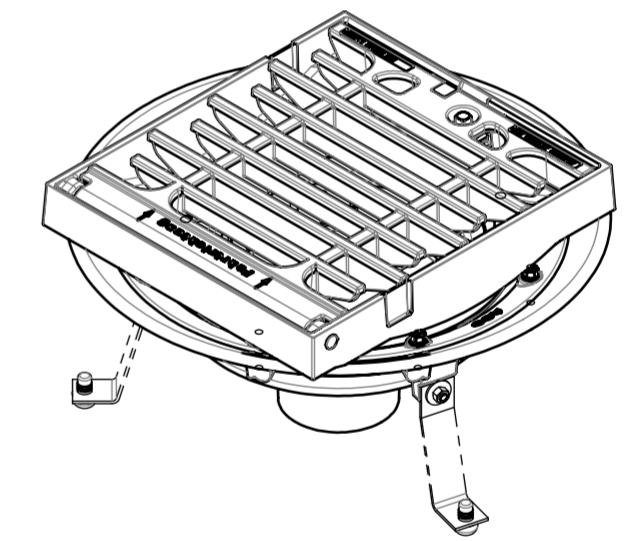
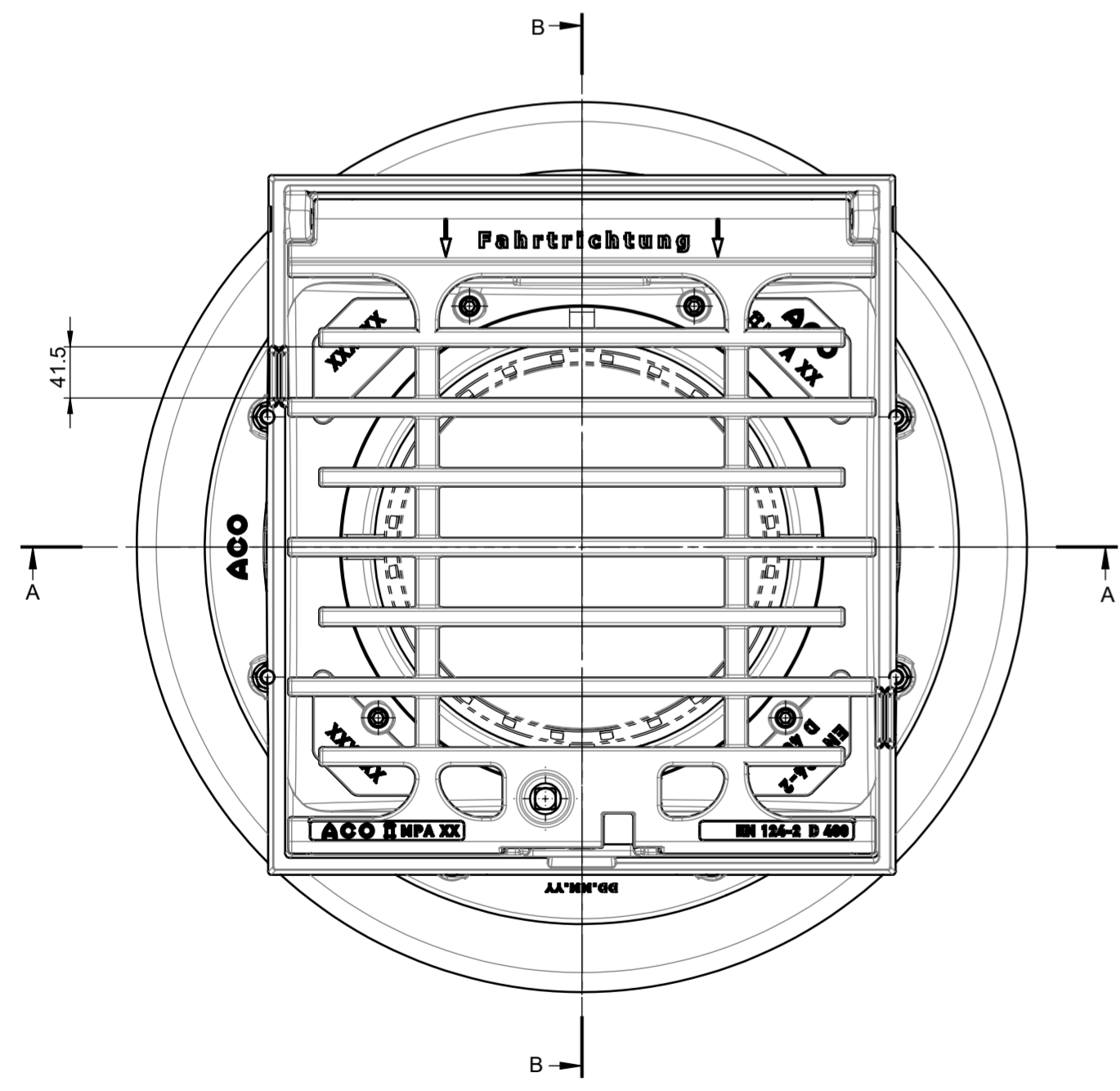
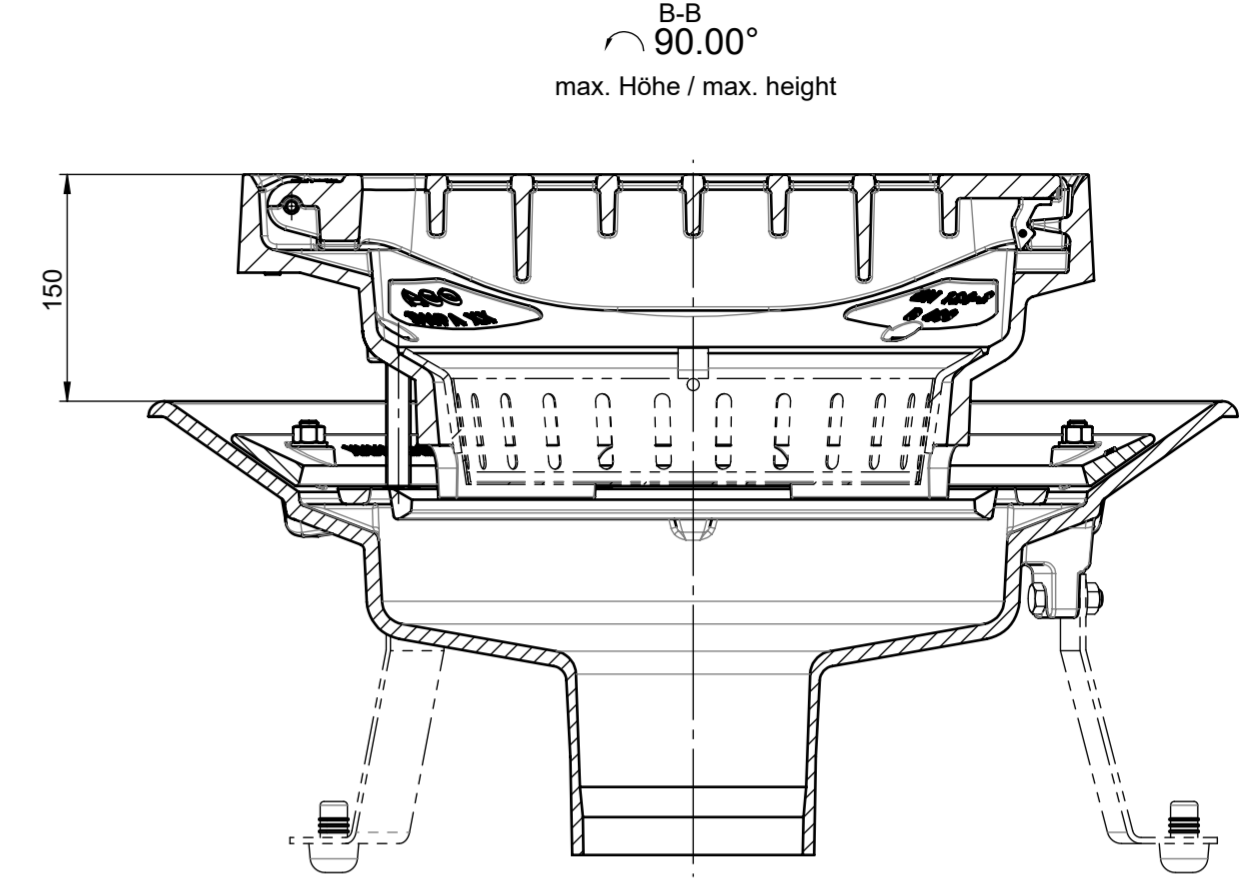
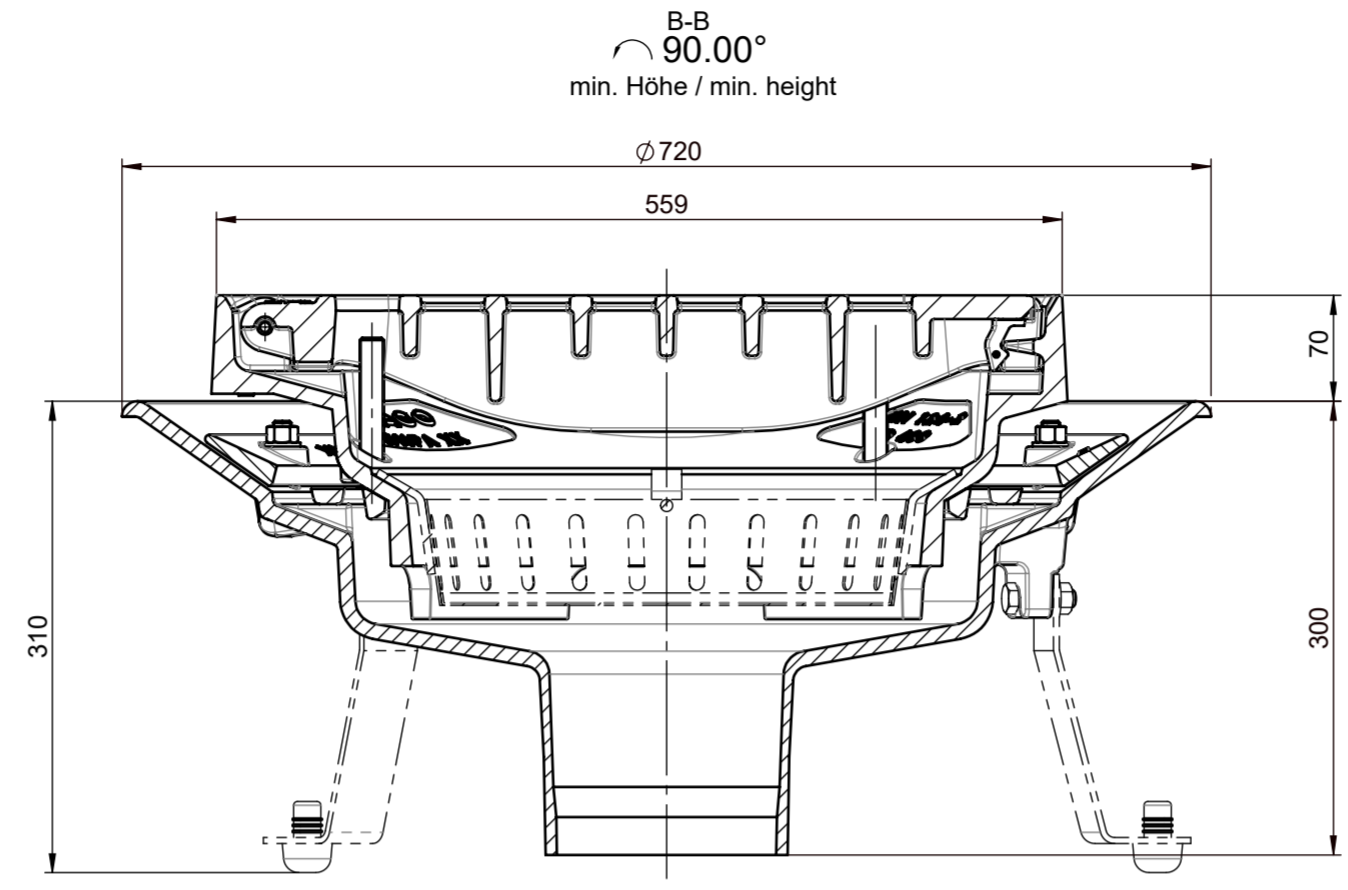
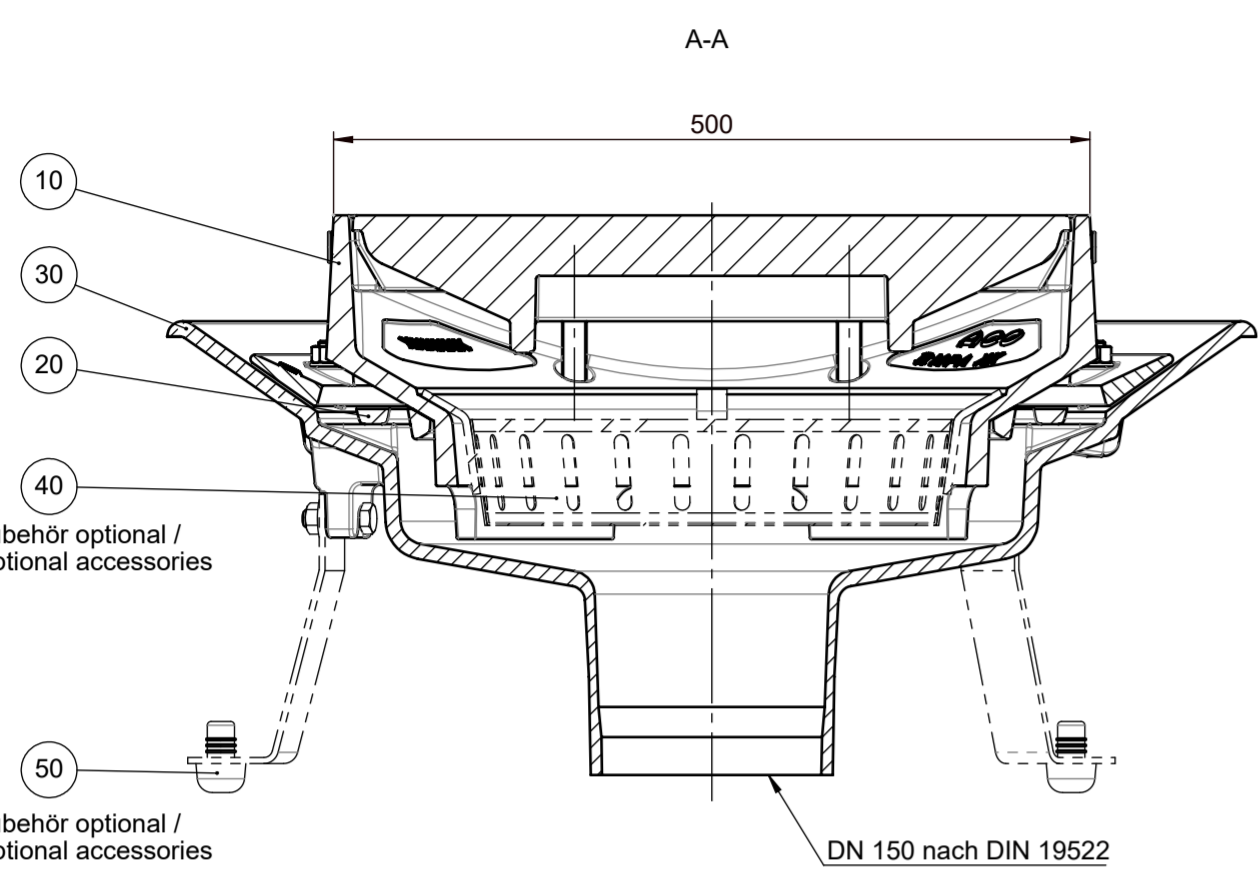


1 2 3 4 5 6 7 8 9 10 11 12

A B C D E F G H

A B C D E F G H



Einlaufquerschnitt: 1432 cm²
Inlet area: 1432 cm²

local article number: 1213061
for missing dimensions see 3D model

001	MH03225: First revision				29.08.2024
index:	modification:			author:	date:
material number:	old article number:	general tolerance:	surface: Deburred	weight: 127.5 kg	doctype: P
ACO Passavant Detego GmbH Scheidentalstraße 3 65326 Aarbergen www.aco-passavant-guss.de	basic material:	welding tolerance	projection: ISO-E	format: A2	
	created by: tmeuer	reviewed by: tmeuer	sorting number:	scale: 1:5	

title:
Brückenentwässerung
BD D400 Mtop Aq P HSD-5 H=70-150, DN150 vert., with adj. screw
BA D400 Mtop Aq P HSD-5 H=70-150, DN150 senkr. mit Stellsch.

serial-released
Solidworks

The reproduction, distribution and utilization of this document as well as the communication of its contents to others without express authorization is prohibited. Offenders will be held liable for the payment of damages. All rights reserved in the event of the grant of a patent, utility model or design. Observe copyright by ISO 15016	drawing-no.:	index:	release date:	sheet:
	1450622	001	12.09.2024	1/1

1 2 3 4 5 6 7 8 9 10 11 12